



41213-1D

AR111 spotlight 13 watt Crystal



colour	warm white/natural white/cool
colour temp	white
brand	2700K/4000K/6000K
base	Sharp
power factor	G53
driver	≥0.90
voltage	External (not included)
dimnable	AC/DC 12V
total lumen	Yes
life time	690-750
cri	40.000 hrs
beam angle	≥82
wattage	24 deg
efficacy l/w	13 watt
replacement for	54 lm
size	50 watt
material	111x60mm
dimmer	Aluminum
certificates	Triac
energy label	Ce/rohs
warranty	A+
	3 years

Note

Specifications listed are in effect at time of printing and are subject to alteration without prior notice or obligation. RAW LED reserves the right to periodically upgrade these specifications through additions, deletions and substitutions.

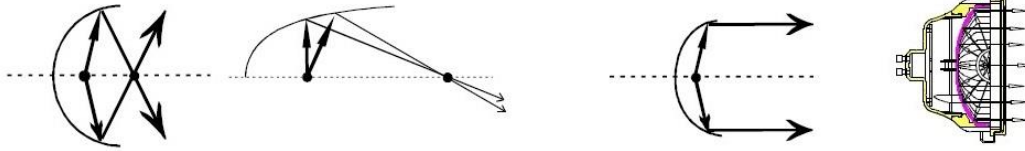
RAW LED B.V.

Hellingweg 134 | 2583 DX The Hague | The Netherlands

T +31(0)70 322 54 73 | F +31(0)70 322 54 73 | info@rawled.com | www.rawled.com

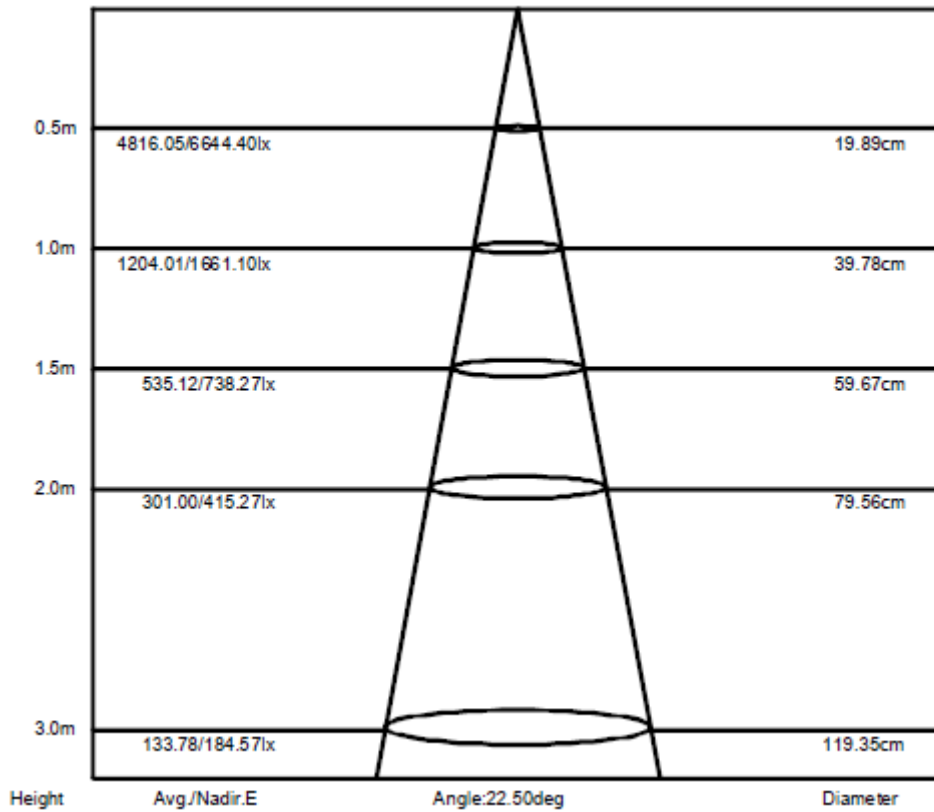


Design principles



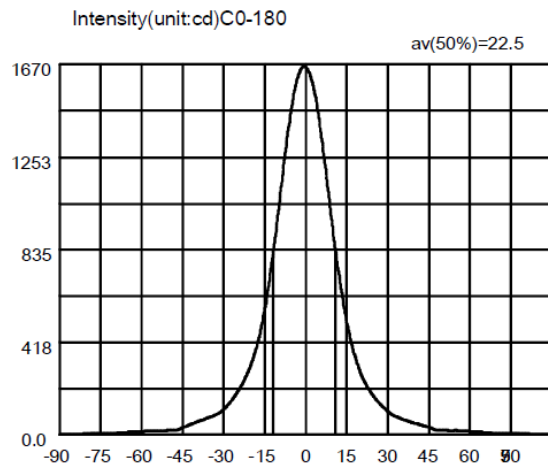
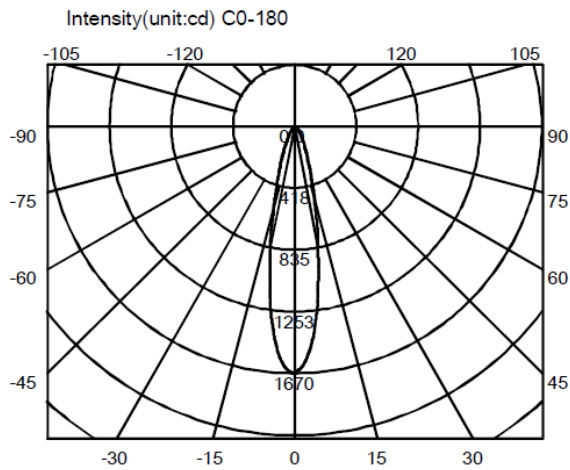
The key to solving the glare problem is to make the light output even. Our patented products emit parallel light with a pure paraboloid reflector that solves the glare problem

Light output

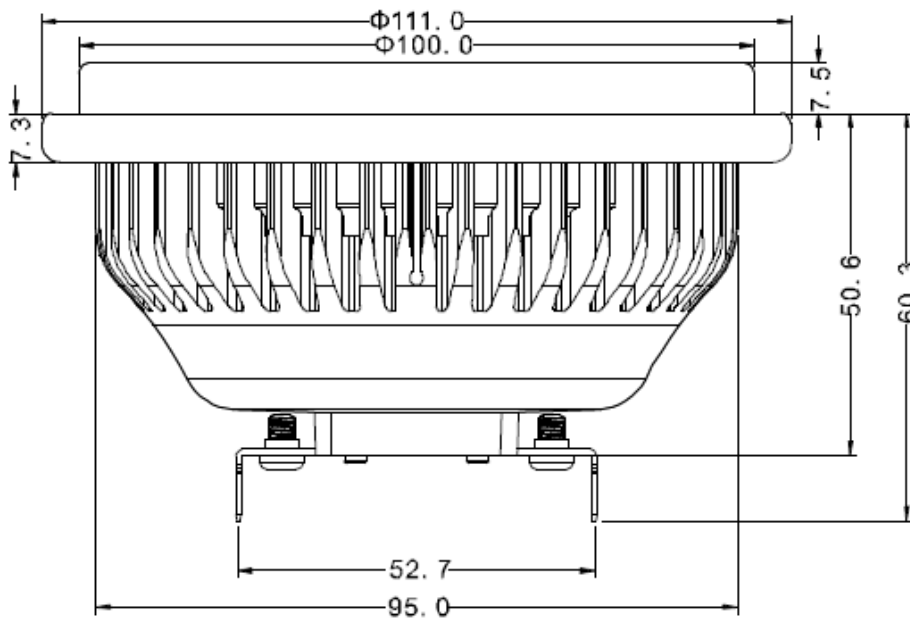




raw *led*



Product dimensions





raw ^{led}

Packaging details

